



COGBURN CB-4

Cogburn helps sportsmen pursue tradition and a passion to live off the land. We make gear for people looking to hunt, fish and forage in remote places.

RETAILER: This framesheet MUST BE provided to the end user.

▲ WARNING: CYCLING CAN BE DANGEROUS. BICYCLE PRODUCTS SHOULD BE INSTALLED AND SERVICED BY A PROFESSIONAL MECHANIC. NEVER MODIFY YOUR BICYCLE OR ACCESSORIES. READ AND FOLLOW ALL PRODUCT INSTRUCTIONS AND WARNINGS INCLUDING INFORMATION ON THE MANUFACTURER'S WEBSITE. INSPECT YOUR BICYCLE BEFORE EVERY RIDE. ALWAYS WEAR A HELMET.

Additional Product and Safety instructions can be found at the website: www.cogburnoutdoors.com/safety.

INTENDED USE

CONDITION 3

Bikes designed for riding Conditions 1 and 2, plus rough trails, small obstacles, and smooth technical areas, including areas where momentary loss of tire contact with the ground may occur. NOT jumping. All mountain bikes without rear suspension are Condition 3, and so are some lightweight rear suspension models.

INTENDED For cross-country riding and racing which ranges from mild to aggressive over intermediate terrain (e.g., hilly with small obstacles like roots, rocks, loose surfaces and hard pack and depressions.) Cross-country and marathon equipment (tires, shocks, frames, drivetrains) are lightweight, favoring nimble speed over brute force. Suspension travel is relatively short since the bike is intended to move quickly on the ground.

NOT INTENDED For hardcore freeriding, extreme downhill, dirt jumping, slopestyle, or very aggressive or extreme riding. No spending time in the air landing hard and hammering through obstacles.

TRADE OFF Cross-Country bikes are lighter, faster to ride uphill, and more nimble than all-mountain bikes. Cross-country and marathon bikes trade off some ruggedness for pedaling efficiency and uphill speed.

MAXIMUM WEIGHT LIMIT (lb/kg)	Rider	Luggage*	Total
	300/136	5/2.3	305/138.3
For Touring or Trekking	300/136	55/25	355/161

For Touring or Trekking

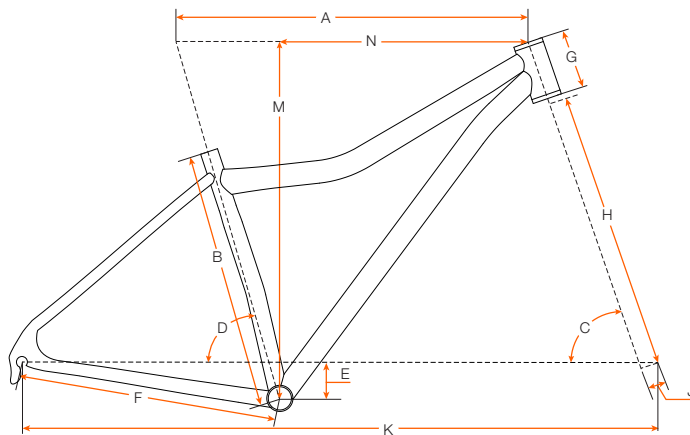
*Seat Bag Only



FRAME COMPATIBILITY

Wheelsize	26" fatbike (closer to 29" in diameter in reality)
Tire Clearance	Designed for 26 x 4.0" tires
Fork	Enabler Fork
Headset-Upper	1-1/8" Zero Stack (ZS44/28.6)
Headset-Lower	For Tapered: 44mm External Cup (EC44/40) For Straight: Zero Stack (ZS44/30)
Seatpost	27.2mm
Seat Collar	32.0mm
Front Derailleur	Integrated 100mm specific direct mount, high direct mount front derailleur
Bottom Bracket	100mm
Crankset	Mountain doubles compatible with 100mm bottom bracket type
Front Brake	51mm I.S., minimum rotor size 160mm
Rear Brake	51mm I.S., minimum rotor size 160mm
Front Spacing	135 x 9mm QR
Rear Spacing	170 x 10mm QR
Bottle Mounts	5 per frameset (3 on frame, 2 on fork), 4 per frameset on size XS (2 on frame, 2 on fork)
Derailleur Hanger	Replaceable
Cable Routing	Full housing, under toptube
Frame Weight	2200g (M); 2320g (L)
Fork Weight w/Uncut Steerer	1180g (2.6 lb)

GEOMETRY



SIZE	Small	Large
Recommended Rider Height	5'4" - 5'9"	5'10" - 6-4"
A. Top Tube Effective	23.2mm	24.4mm
B. Seat Tube Length	16.0mm	19.0mm
C. Headtube Angle	69.5°	69.5°
D. Seat Tube Angle	73.5°	73°
E. BB Drop	2.6mm	2.6mm
F. Chainstay Length	17.6–18.3mm	17.6–18.3mm
G. Headtube Length	5.1mm	5.9mm
H. Fork Length	18.4mm	18.4mm
J. Fork Offset	1.8mm	1.8mm
K. Wheel Base	43.9mm	45.2mm

CARE AND MAINTENANCE

Keep your frame clean. Dirt and road grime lead to oxidation and fading of the finish, and they make it hard to do a thorough inspection. Dirt will accelerate any abrasion of the paint that comes from rubbing, such as places where the cable housing touches the frame. In extreme cases, this type of abrasion could remove frame material.

When your bicycle is not being ridden, store it where it will be protected from rain, snow, sun, etc. Rain or snow may cause the metal on your frame to corrode.

If your bicycle was exposed to moisture during a ride, thoroughly dry the bicycle before storing it. If water got inside the frame, tilt the bicycle to drain the water. If necessary, remove the seatpost and turn the bicycle upside down. This is especially critical if there is a large amount of water inside. If water freezes inside your frame, the expansion of the ice can crack and rupture the structure.

Before storing your bicycle for an extended period of time, clean and lubricate the frame with a frame wax, polish, or protectant. Do not store the bicycle near electric motors, as ozone from motors destroys paint. Before riding the bicycle again, follow the pre-ride checklist to be certain it is in good working order.

INSPECTION

Before every ride carefully inspect your frame for signs of fatigue. If any frame part shows signs of damage or fatigue, consult your dealer or replace the frame before riding the bicycle.

▲ WARNING: An improperly modified frame, fork, or component can cause you to lose control and fall. NEVER MODIFY YOUR FRAMESET.

▲ WARNING: Attaching incompatible clamping devices to a fork can lead to fork breakage, causing a loss of control. If you are not sure if a device is compatible, consult your dealer.

SERIAL NUMBER: _____

Get a pen and write down the serial number of your COGBURN CB-4 immediately. The number is stamped into the bottom of the bottom bracket shell. Having this number is imperative if your bike ever gets stolen or if you ever have questions about your frame...we are constantly improving our products and sometimes the serial number is the only way to tell one generation of product from another.

COGBURN OUTDOORS LIMITED WARRANTY

All Cogburn products are warranted against manufacturing defects in materials and workmanship from the date of retail purchase of the product, subject to the limitations detailed below:

One year

Gear Carrier for original owner

TO THE EXTENT NOT PROHIBITED BY LAW, THESE WARRANTIES ARE EXCLUSIVE AND THERE ARE NO OTHER EXPRESS OR IMPLIED WARRANTIES OR CONDITIONS INCLUDING WARRANTIES OR CONDITIONS OF MERCHANTABILITY AND FITNESS FOR A PARTICULAR PURPOSE.

This warranty does not cover the following:

- Damage due to improper assembly or follow-up maintenance or lack of skill, competence or experience of the user or assembler
- Products that have been modified, neglected, used in competition or for commercial purposes, misused or abused, involved in accidents or anything other than normal use
- Installation of components, parts or accessories not originally intended for or compatible with bicycle or other COGBURN OUTDOORS products as sold
- Damage or deterioration to the surface finish, aesthetics or appearance of the product
- Normal wear and tear
- Labor required to remove and/or refit and re-adjust the product within the bicycle assembly

This limited warranty is expressly limited to the repair or replacement of a defective product, at the option of Cogburn Outdoors, and is the sole remedy of the warranty. This limited warranty applies only to the original purchaser of the Cogburn Outdoors product and is not transferable. This warranty applies only to Cogburn Outdoors products purchased through an authorized dealer or distributor. In no event shall Cogburn Outdoors be liable for any loss, inconvenience or damage, whether direct, incidental, consequential, or otherwise resulting from breach of any express or implied warranty or condition, of merchantability, fitness for a particular purpose, or otherwise with respect to Cogburn Outdoors products except as set forth herein. This warranty gives the consumer specific legal rights, and those rights and other rights may vary from place to place. This warranty does not affect your statutory rights.

WARRANTY REGISTRATION:

Proof of purchase is required before a warranty claim is processed. Cogburn Outdoors therefore strongly encourages warranty registration at support@cogburnoutdoors.com. Failure to register will not affect consumer rights under the limited warranty stated above, so long as the consumer can show in a reasonable manner proof of original ownership and the date the Cogburn Outdoors product was purchased.

If you have any questions contact support@cogburnoutdoors.com.

OTHER PRODUCTS:

Please check out www.cogburnoutdoors.com for more information on other exciting products from Cogburn Outdoors.

CONTACT US:

COGBURN OUTDOORS

6400 West 105th Street

Bloomington, MN 55438

952.941.9391

www.cogburnoutdoors.com